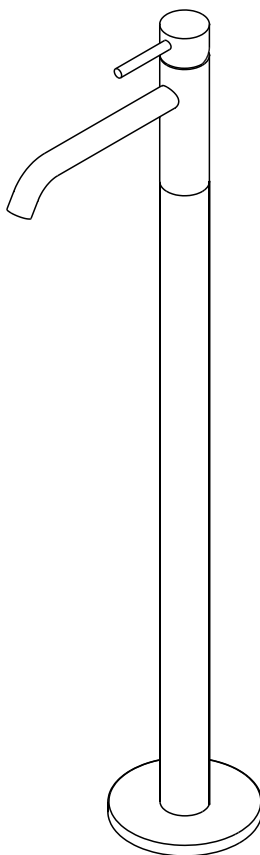


Installation Instructions

Badeloft
AT-05



Notice:

1. only use soft fabric to clean the taps, no acid and alkalescent material for cleaning.
2. cartridge and diverter are tested in the factory, no self assembly and disassembly.
3. underground components should pass a 30 min. water test under 0.8Mpa before close the tiles, to be sure no water leak.
4. underground pipes should be installed strictly according to the manual, exchange of cold water pipe and hot water pipe is not allowed.
5. when inside temperature under 0°C, please do close the water angel valve, open the tap and let the water flow out completely, to avoid tap break during freezing period, and water leak when temperature goes up.
6. water inlet pipes must be cleaned before tap installation, impurities could destroy the cartridge, diverter and aerator.
7. CAUTION: when turn on the tap, please turn to cold first, then adjust to suitable temperature, to avoid scald.
8. gloves are needed during installing the tap.

Problems and Solutions:

1. if water flow is not enough, please be sure the angel valve are opened.
2. if water column is not in regular shape. please be sure the aerator is cleaned.
3. if temperature not adjustable, please be sure the angel valve and connection pipe is correctly installed.

Quality Guarantee:

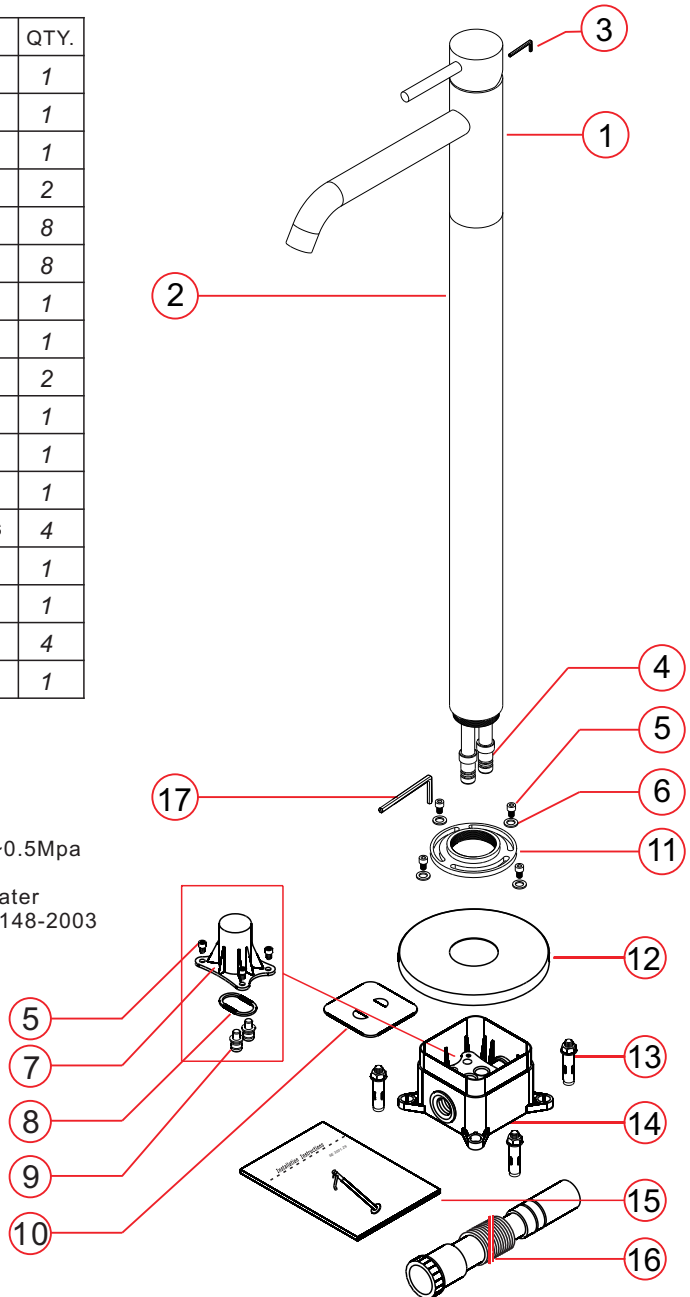
Thank you very much for choosing our products, we will offer full after-sales services. We offer for 2 years limited quality guarantee and whole product-life repair in terms of:

1. product damage caused by material, manufacture and functional components (not including surface) within 2 years after sales, we offer repair or same model replacement for free. Customer can return the product only after received our written permission. We will deliver the repaired or replace new product to customer after received the old one. Repair or replacement depends on the product condition.
2. For those products over 2 years after sales, we offer repair based on cost charge.
3. This limited quality guarantee only valid for house and non-commercial usage products.
4. This limited quality guarantee does not valid for below terms:
 - use components from outside the factory.
 - wrong installation, usage or maintenance (no matter distributor, plumber or final user).

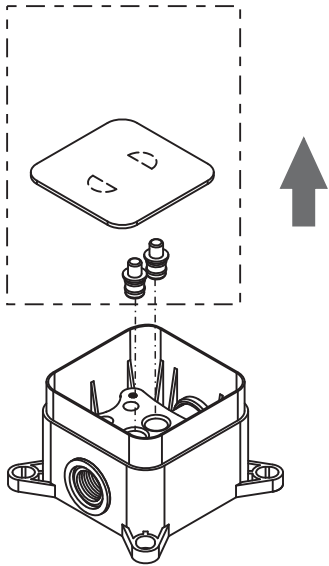
Checking List

	Name	QTY.
1	body	1
2	connection pipe	1
3	S2.5mm hex. wrench	1
4	water inlet pipe	2
5	M5x15 hex bolt	8
6	M5 washer	8
7	water test base	1
8	rubber ring	1
9	rubber water stop	2
10	dustproof cover	1
11	fixing nut	1
12	rosette	1
13	expansion anchor bolts	4
14	underground box	1
15	manual	1
16	water pipe	4
17	S4mm hex wrench	1

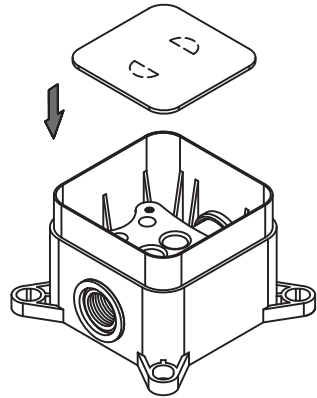
specifications:
 water pipe thread: G1/2
 working pressure: 0.1Mpa~0.5Mpa
 working temp.: 3°C ~ 85°C
 working material: normal water
 producing standard: GB 18148-2003



disassemble and take out

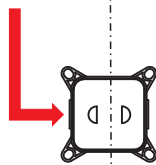


put the dustproof cover on

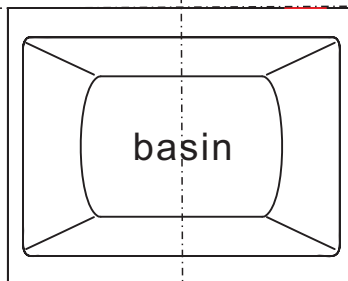


hot water

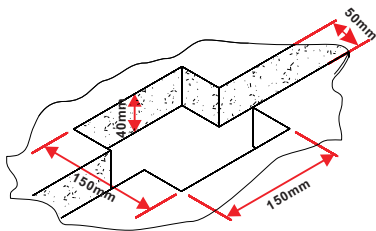
cold water



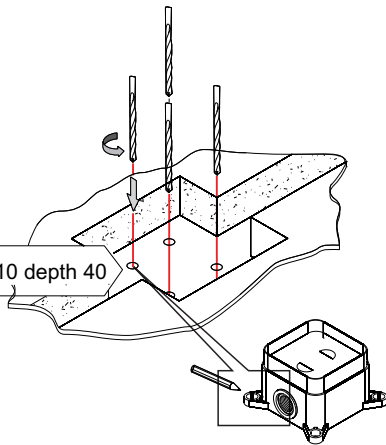
fix the position of the tap



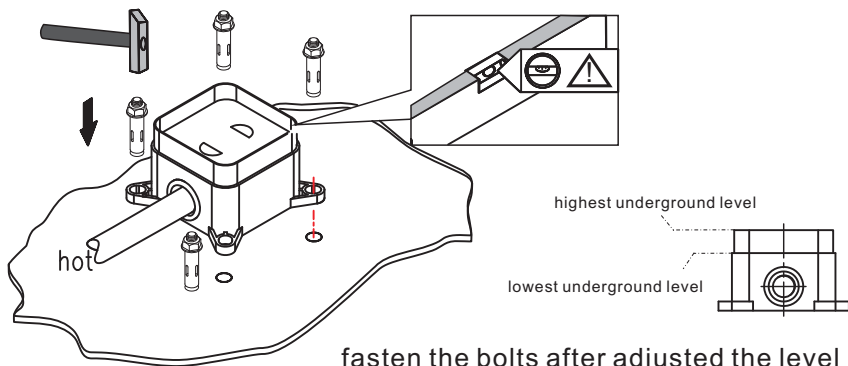
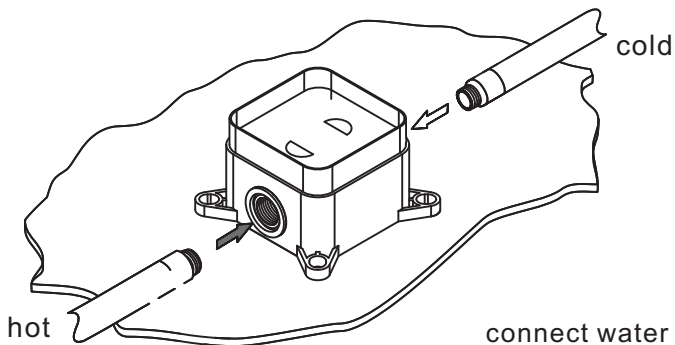
underground parts installation

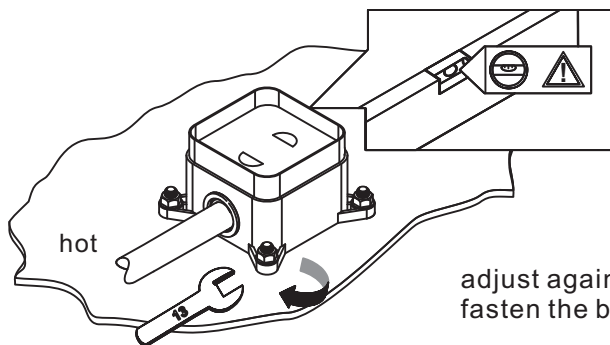


⚠ Ø10 depth 40

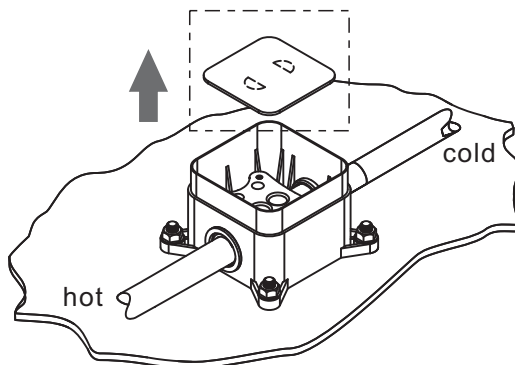


fix the screw position

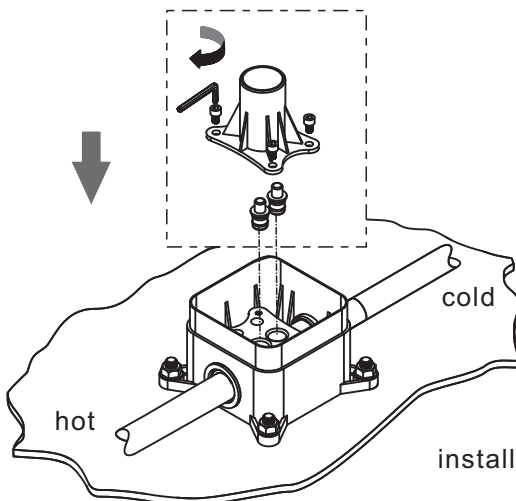




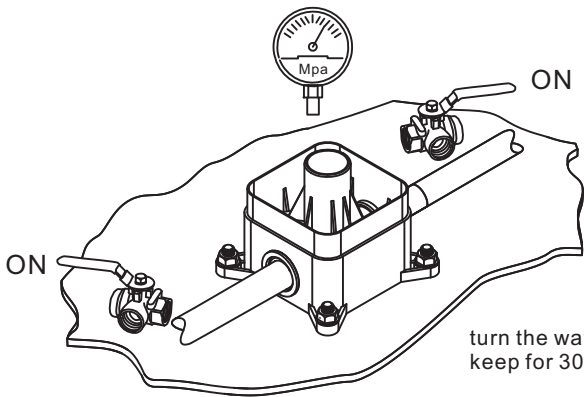
adjust again the level after fasten the bolts.



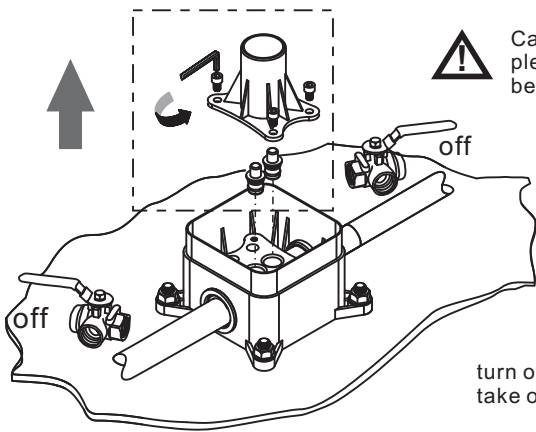
take off the cover



install water test spareparts

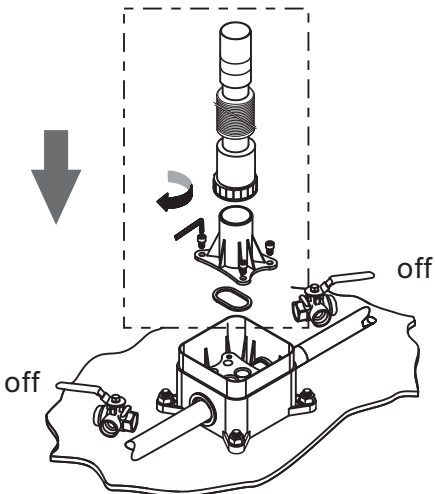


turn the water on under pressure 0.8Mpa, keep for 30min to be sure no water leak.

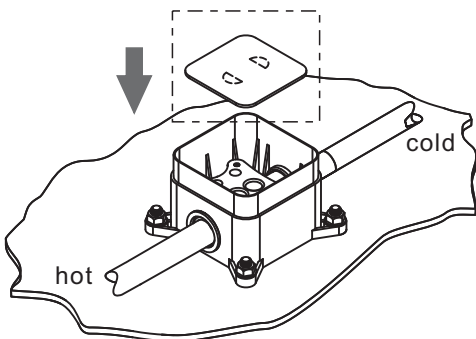
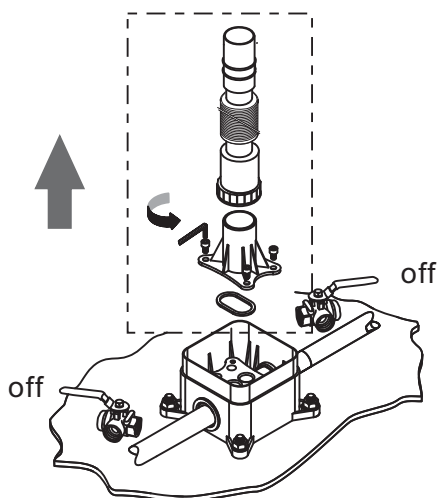
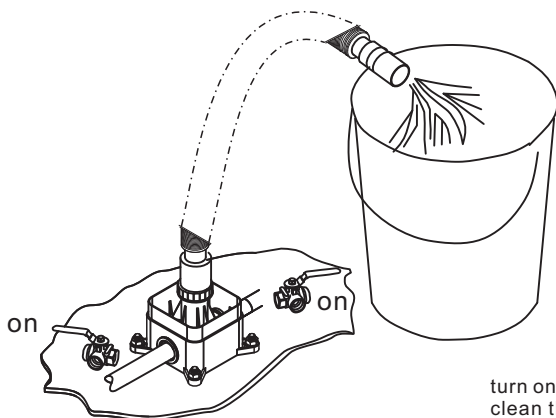


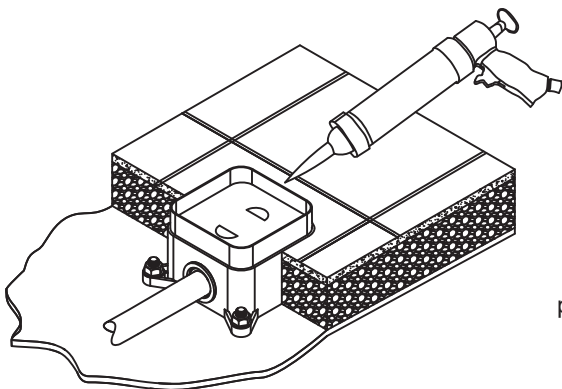
Caution:
please decompress the water before unfasten the screw.

turn off the water, take off the testing spare parts.

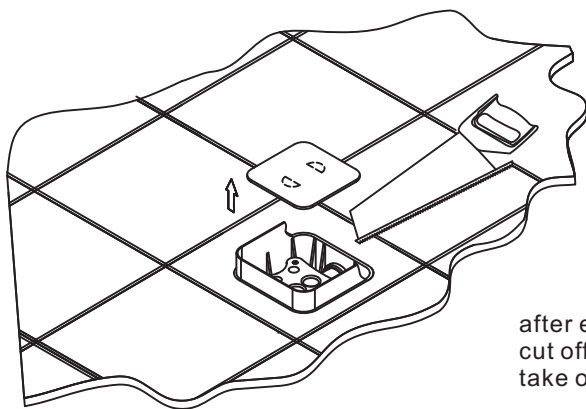


install pipe cleaning spare parts.

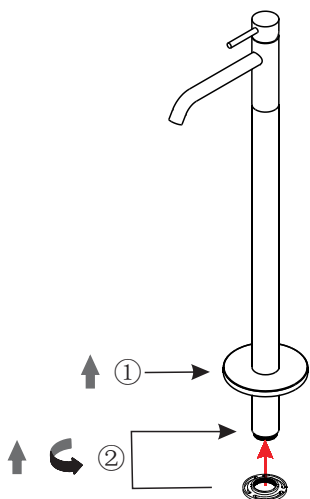




paving tiles, use silicon
to close the gaps.

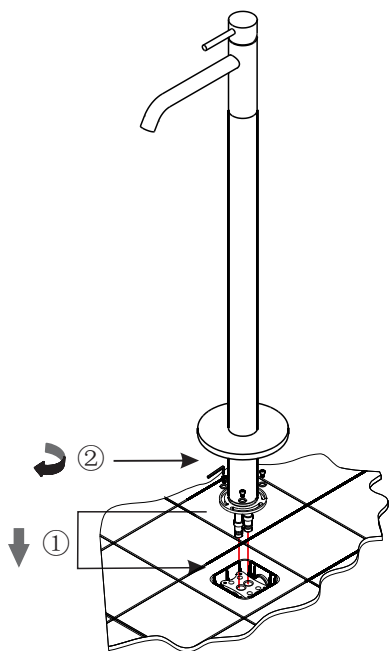


after everything dried,
cut off the upper ground parts.
take off the cover



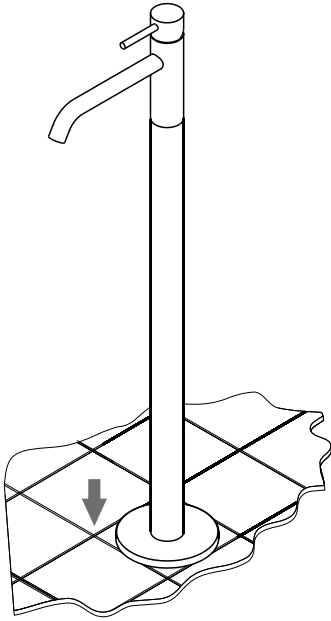
① put on the rosette, be careful to avoid scratches.

② Fasten the brass nut onto the body, use thread glue if necessary.

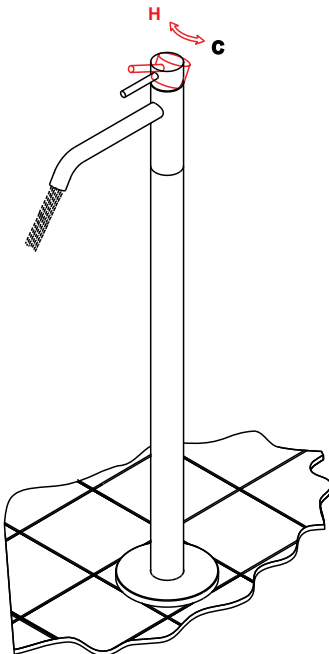


① insert the 2 water pipes in the tap into the holes in the plastic box underground.

② fasten the brass nut by 4 screws.



push the rosette smoothly
down to the ground



Lift up the handle to turn on the tap.
turn left to hot water.
turn right to cold water.